



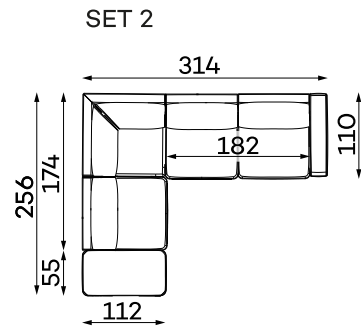
befame

Rio

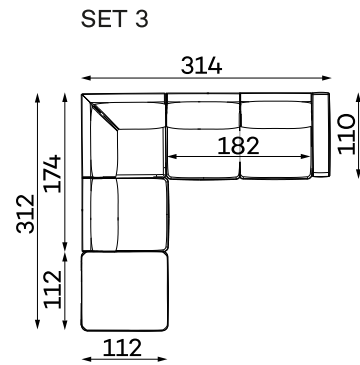
Close your eyes and sit down. Don't you feel like being on a soft and delicate cloud? This is how the Rio sofa owners most often speak of it. You can pleasantly "sink into" it thanks to the combination of two special highly elastic foams and silicone down which offers the same feeling as natural feathers but is friendly to people with allergies and resistant to deformations often referred to as "sagginess". Additionally, Rio is a modular product which gives lots of possibilities to design furniture perfectly satisfying your family's needs - with a proper size and shape. It can be a regular sofa, a corner sofa or a giant U-shaped couch. You can be sure that it will become your favourite place in any of these forms.

Corner sofas

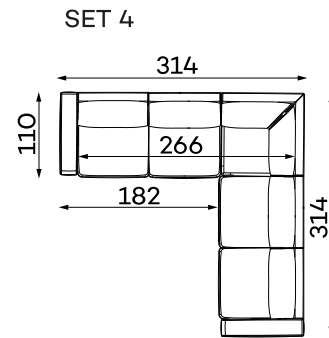
Available in a left-hand or right-hand configuration. The sets below are left-hand facing.



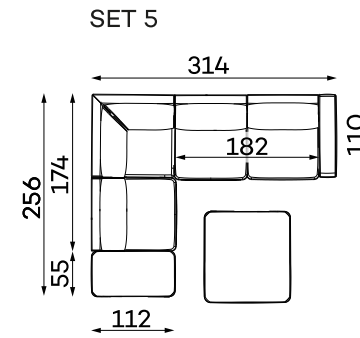
NARROW SIDE
304 x 256 x 88 cm
WIDE SIDE
314 x 256 x 88 cm



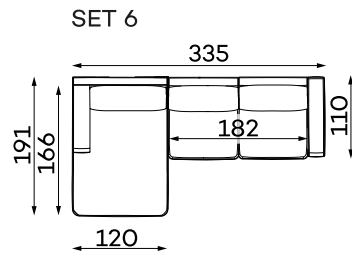
NARROW SIDE
304 x 312 x 88 cm
WIDE SIDE
314 x 312 x 88 cm



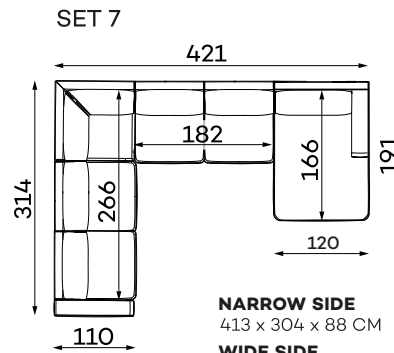
NARROW SIDE
304 x 304 x 88 cm
WIDE SIDE
314 x 314 x 88 cm



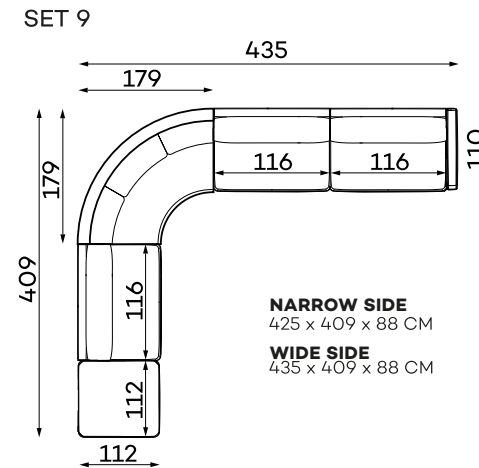
NARROW SIDE
304 x 256 x 88 CM
WIDE SIDE
314 x 256 x 88 CM



NARROW SIDE
317 x 191 x 88 CM
WIDE SIDE
335 x 191 x 88 CM



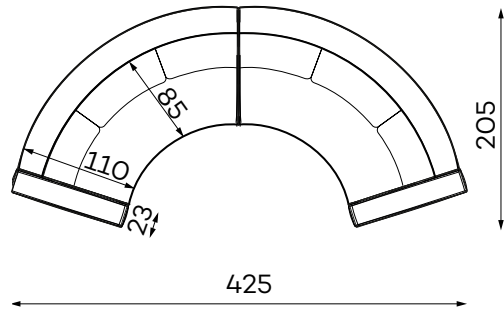
NARROW SIDE
413 x 304 x 88 CM
WIDE SIDE
421 x 314 x 88 CM



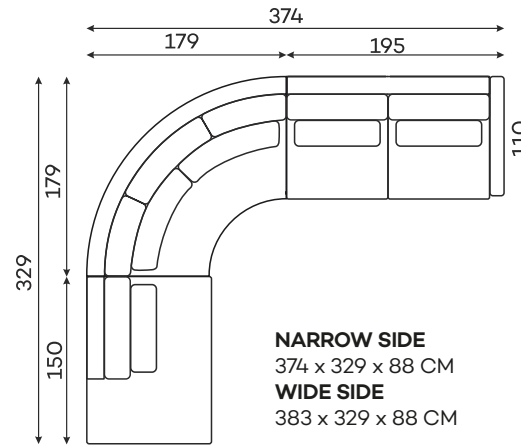
NARROW SIDE
425 x 409 x 88 CM
WIDE SIDE
435 x 409 x 88 CM

All dimensions of upholstered furniture are given with a tolerance of +/- 4 cm.

SET 10

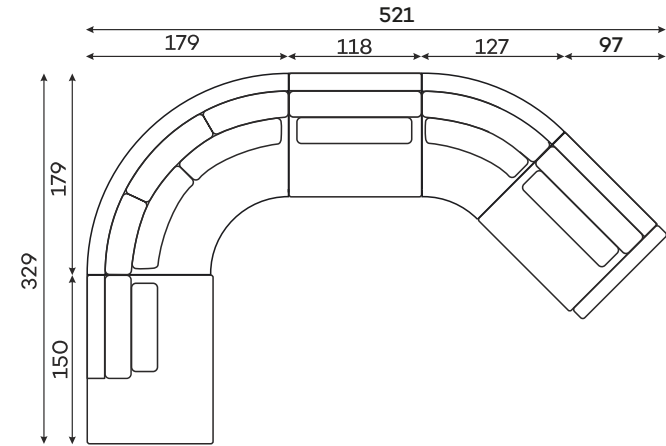


SET 11

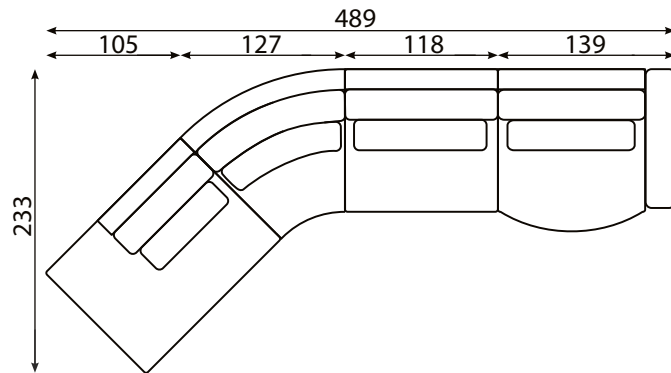


NARROW SIDE
374 x 329 x 88 CM
WIDE SIDE
383 x 329 x 88 CM

SET 12

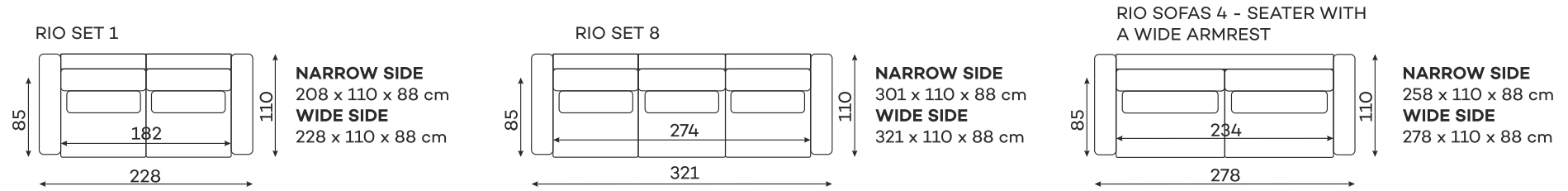


SET 13



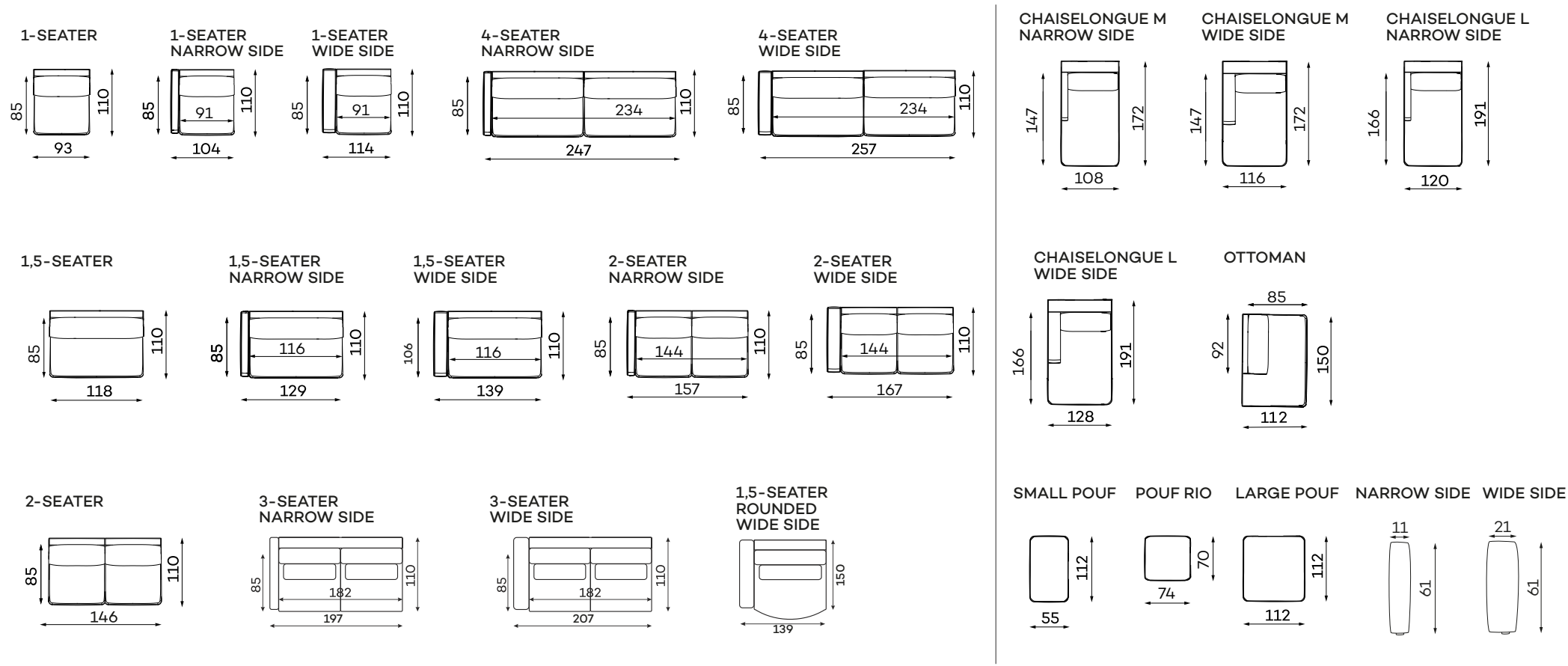
All dimensions of upholstered furniture are given with a tolerance of +/- 4 cm.

Sofas



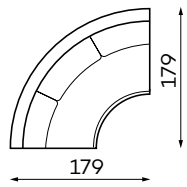
Modular units

Available in a left-hand or right-hand configuration. The sets below are left-hand facing.

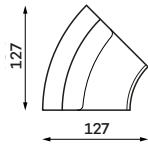


All dimensions of upholstered furniture are given with a tolerance of +/- 4 cm.

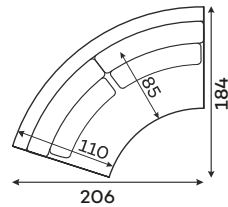
ROUNDED CORNER ELEMENT 90°



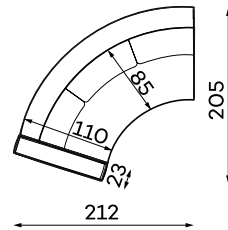
ROUNDED CORNER ELEMENT S 45°



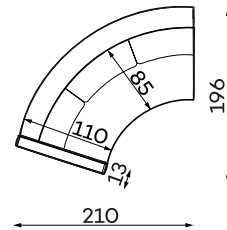
ROUNDED CORNER ELEMENT 72°



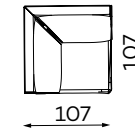
ROUNDED CORNER ELEMENT WIDE SIDE 72°



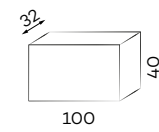
ROUNDED CORNER ELEMENT NARROW SIDE 72°



CORNER ELEMENT

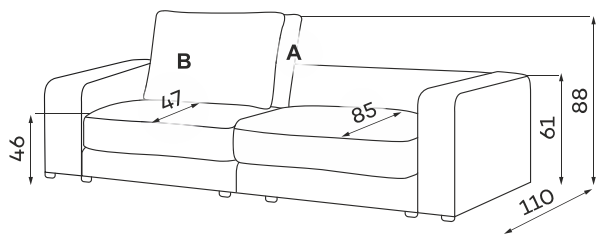


SHELF

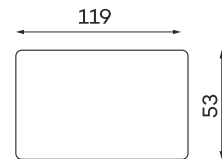


All dimensions of upholstered furniture are given with a tolerance of +/- 4 cm.

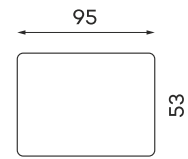
Other dimensions



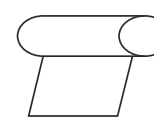
CUSHION A



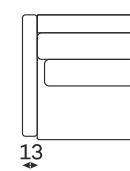
CUSHION B



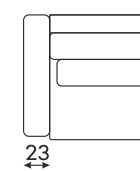
ROLLER PAD



NARROW SIDE



WIDE SIDE



LEG B - INVISIBLE

BLACK



What makes the Rio sofa stand out?



The sinuous springs make the seat more flexible and provide a perfect base for high-elastic foam.



The highly elastic foam used increases the strength and elasticity of the seat preventing deformation.



You have the opportunity to choose a fabric from dedicated collections, including fabrics that are easy to clean.



The perfect fit between the seat and backrest to the anatomical shape of the human body provides exceptional comfort and ergonomics of the body.



The furniture is fully upholstered, so you can put it in the middle of the living room.



The filling of this type is made of silicone powder, which retains the properties and softness of feathers, has anti-allergic properties. This filling ensures the highest comfort of use.