



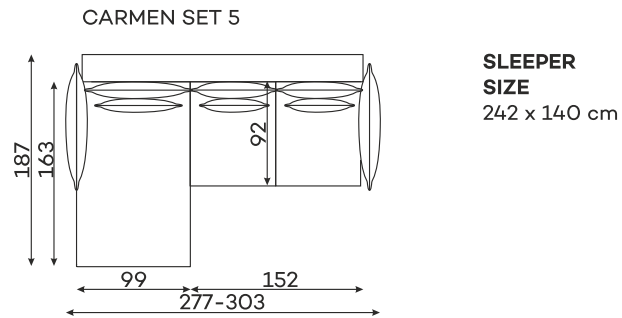
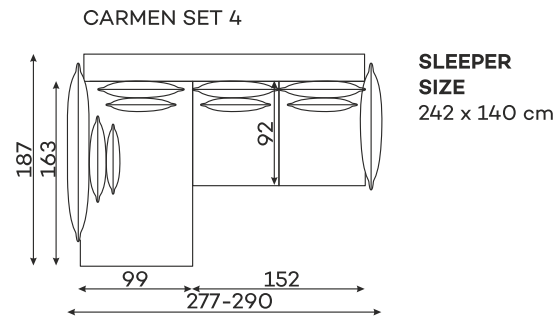
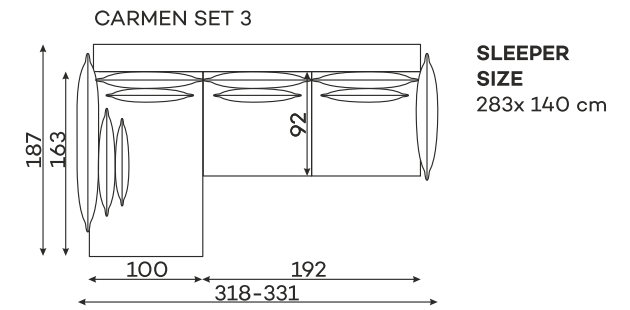
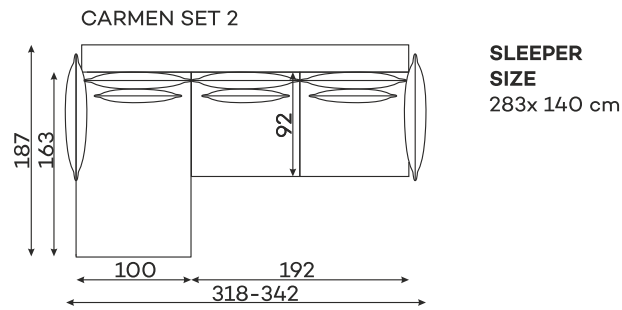
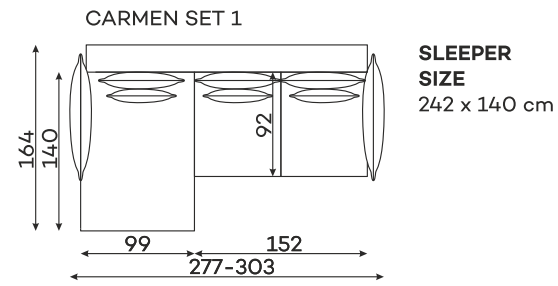
# befame

## Carmen

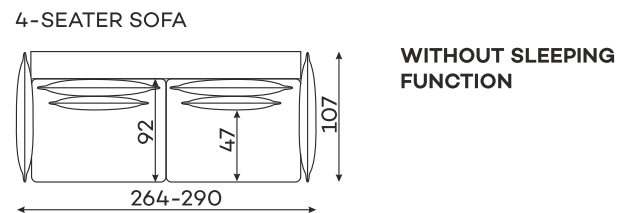
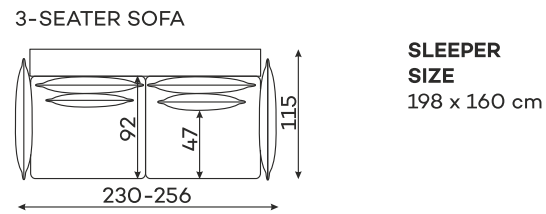
Carmen is a romantic model. Its romantic nature is created by the charming, wavy borders on the cushions. It has a unique property – its sides are movable and adjustable, letting you relax comfortably in a sitting or half-lying position. These are not all advantages – this model is equipped with a sleeping function which lets you take a rest in your preferable position.

# Corner sofas

Available in a left-hand or right-hand configuration. The sets below are left-hand facing.



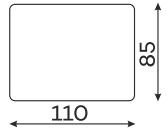
## Sofas



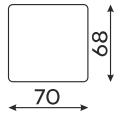
## Modular units

Available in a left-hand or right-hand configuration. The sets below are left-hand facing.

LARGE POUFFE



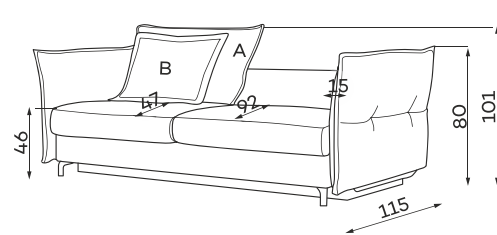
SMALL POUFFE



Pouffe height: 46

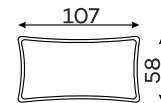
All dimensions of upholstered furniture are given with a tolerance of +/- 4 cm.

## Other dimensions

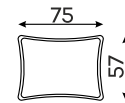


Backrest height: 68

CUSHION (A)



CUSHION (B)



## Leg colors available

CHROME



BLACK



BRASS



COPPER



## What makes the Carmen sofa stand out?

---



The sinuous springs make the seat more flexible and provide a perfect base for high-elastic foam.



You have the opportunity to choose a fabric from dedicated collections, including fabrics that are easy to clean.



The furniture is fully upholstered, so you can put it in the middle of the living room.



The collection offers several colours of legs. You decide what colour you want. Do you like them and want to buy them for your dresser, for example? Of course you can.



Bonnell spring used in the folding backrest.



The highly elastic foam used increases the strength and elasticity of the seat preventing deformation.



The perfect fit between the seat and backrest to the anatomical shape of the human body provides exceptional comfort and ergonomics of the body.



Sleeping function.



Container for bedding.



Adjustable armrests.